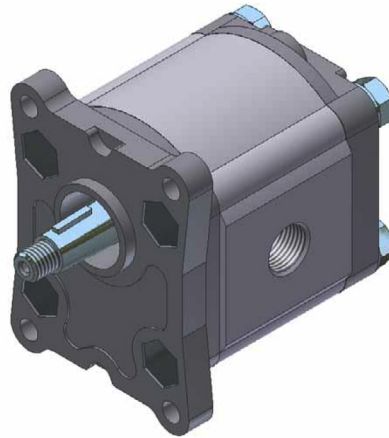


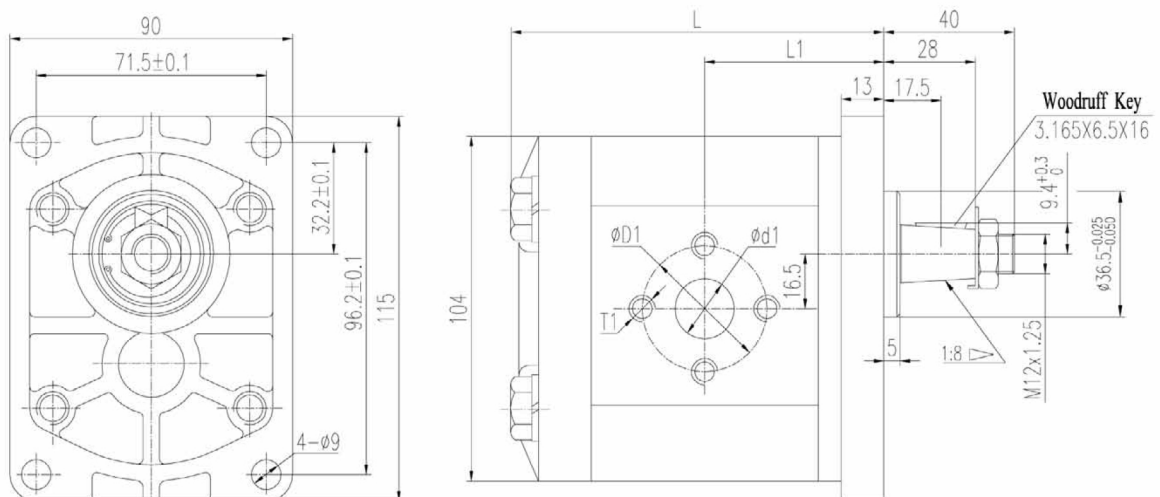
European flange



Type	Displacement c.c.	Pressure Mpa		Speed			L (mm)	L1 (mm)
		Rated	Peak	Rated	Max.	Min.		
VNK-2-4-*3-**-C	4	25	28	2000	3500	500	95.5	43.3
VNK-2-6-*3-**-C	6	25	28	2000	3500	500	99	45
VNK-2-8-*3-**-C	8	25	28	2000	3500	500	102	46.5
VNK-2-10-*3-**-C	10	25	28	2000	3500	500	105	48
VNK-2-12-*3-**-C	12	25	28	2000	3500	500	108	49.5
VNK-2-14-*3-**-C	14	25	28	2000	3500	500	111	51
VNK-2-16-*3-**-C	16	25	28	2000	3500	500	114	52.5
VNK-2-18-*3-**-C	18	25	28	2000	3500	500	117.5	54.3
VNK-2-20-*3-**-C	20	25	28	2000	3500	500	121	56
VNK-2-23-*3-**-C	23	20	25	2000	3500	500	125.5	58.3
VNK-2-25-*3-**-C	25	20	25	2000	3500	500	128	59.5
VNK-2-28-*3-**-C	28	16	20	2000	3500	500	133	62
VNK-2-30-*3-**-C	30	16	20	2000	3500	500	136	63.5

Rotation: A Left C Right

Dimensions:



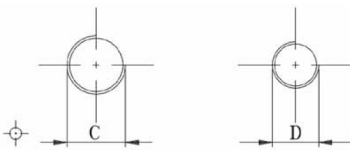
Flange type 3

PORTS INLET/OUTLET

Shape G

INLET

OUTLET

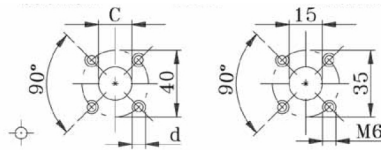


Type	threads
38	G3/8
12	G1/2
34	G3/4
10	G1"

Shape R

INLET

OUTLET

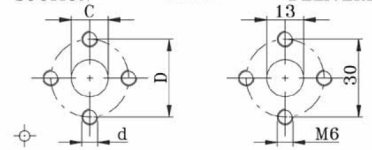


Type	Flange
30	Ø30 M6
40	Ø40 M8

Shape N

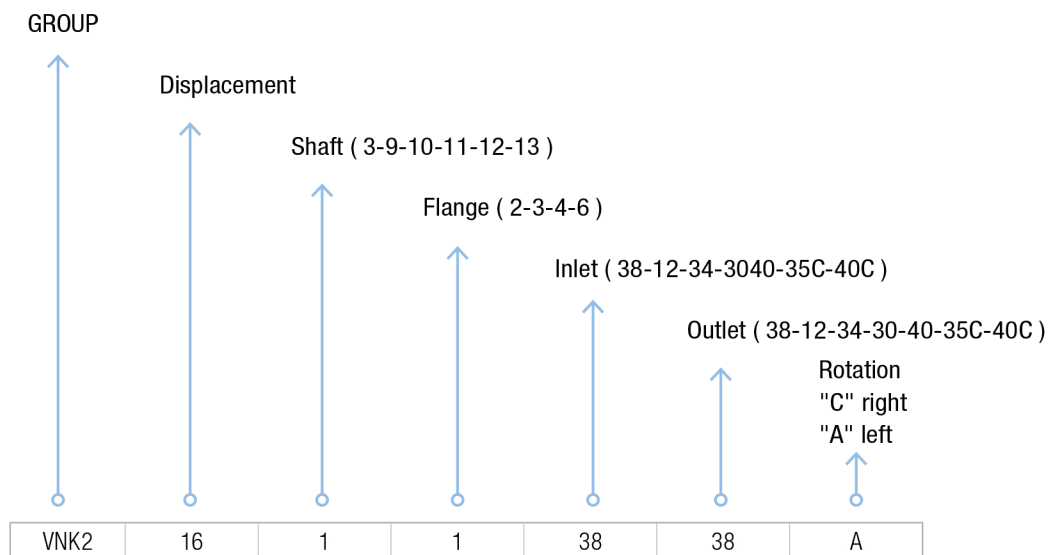
INLET

OUTLET



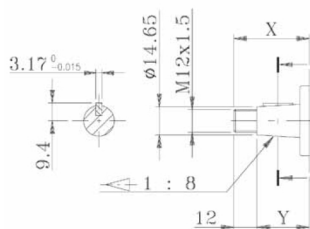
Type	Flange
35C	Ø30 M6
40C	Ø40 M6

Ordering code



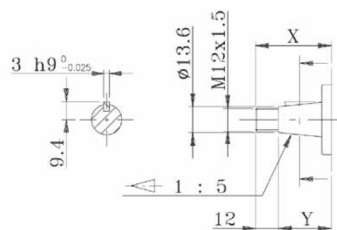
Shaft

Type 3



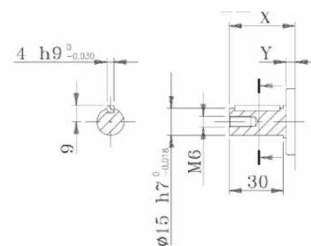
Flange type	X	Y
European	39.5	27.5

Type 8



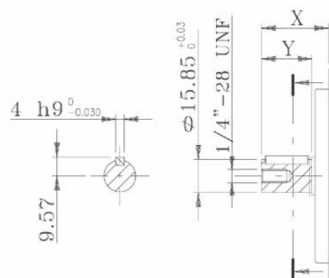
Flange type	X	Y
F50C	41	27.5
F80C	38	26

Type 9



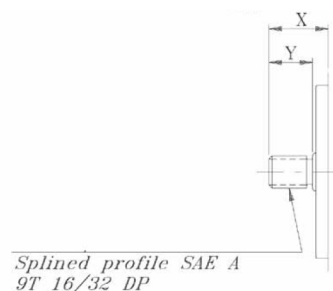
Flange type	X	Y
European	36.5	7
F50C	36,5	7
F80C	37	7.2

Type 10



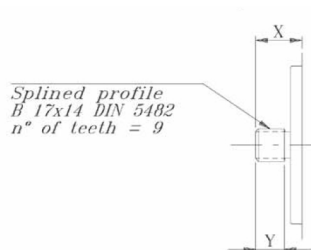
Flange type	X	Y
SAE A	32	24

Type 11



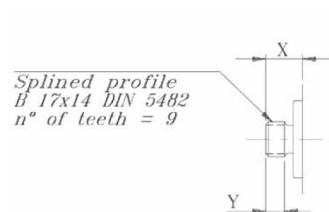
Flange type	X	Y
SAE A	31.5	23

Type 12



Flange type	X	Y
F50C	25.5	16
F80C	35.5	16

Type 13



Flange type	X	Y
European	19.5	10